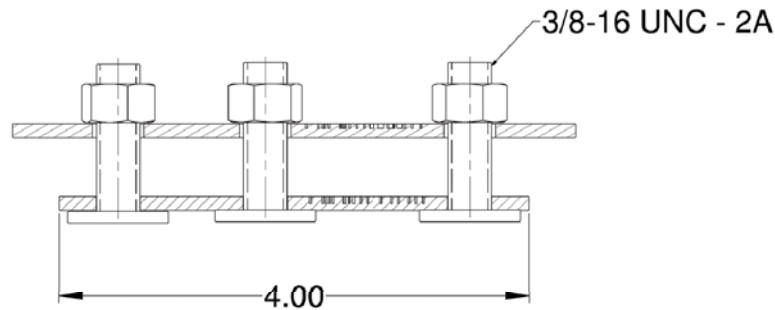
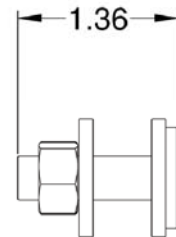
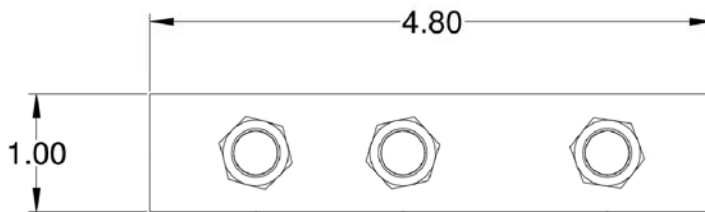
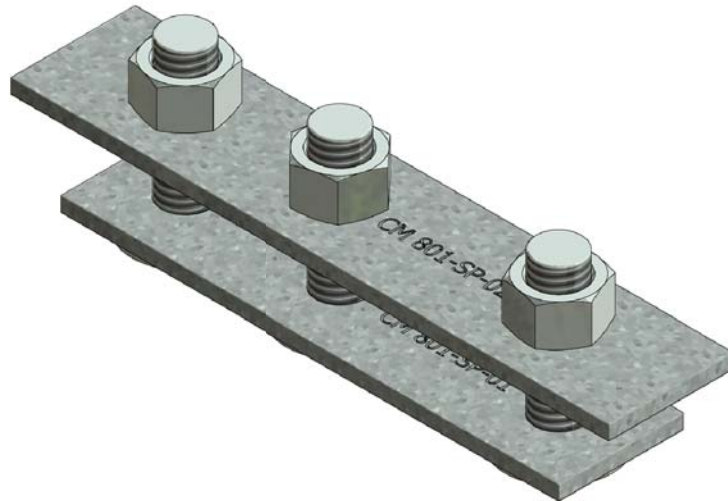


CM 801-SP Splice Plate



The CM 801-SP provides a mechanical connection and an electrical bond when joining the Mega Snake Tray sections to one another.

For drawings of specific models, additional sizes or accessories please call us at 800.308.6788



Snake Tray® products are covered by one or more of the following patents: #6637704, #6637165, #6463704, #6460812, #6449912, #6361000, #6347493, #6019323, #6347493, #6449912, #6460812, #5953870, #5839702, #6926236, #7168212, #7959019. Foreign Patents: Australia #737813, #748160, #749488, #776643, #776644. Canada #2251732, #2319624, #2303081, #2396792. Japan #3723224. Mexico #204995, #229386, #220889. Europe #1012938, 1012937. Other Patents Pending.

CABLE MANAGEMENT SOLUTIONS, INC.

CABLE MANAGEMENT AND POWER DISTRIBUTION

291 SKIP LANE ♦ BAY SHORE, NEW YORK 11706 USA ♦ TEL: (800)308-6788 (631)674-0004

Document No. MKTG-0088 ♦ Revised December 2012 ♦ © 2012 Snake Tray

Made in the USA